

FOR OFFICIAL USE ONLY  
CROWN COPYRIGHT RESERVED

The information within this publication  
is released by the UK Government to the  
recipient in accordance with the  
Conditions of Release given at  
Page/Frame (ii)



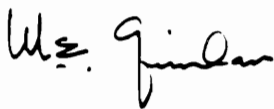
TRUCK UTILITY HEAVY (TUH), 4x4, REYNOLDS BOUGHTON

(ALL VARIANTS)

MAINTENANCE SCHEDULE

(JOINT SERVICE)

BY COMMAND OF THE DEFENCE COUNCIL



Ministry of Defence

Sponsor:

DGEME(A)

Tpt Eng (RAF)

File ref: D/DGEME/125/8/24  
(EME 7b(2))

Publications Authority:

Vehs & Wpns Br REME

Project No: 7b(2)2308(149)

CONDITIONS OF RELEASE

1. This information is released by the UK Government for defence purposes only.
2. This information must be accorded the same degree of security protection as that accorded thereto by the UK Government.
3. This information may be disclosed only within the Defence Departments of the recipient government, except as otherwise authorised by the Ministry of Defence.
4. This information may be subject to privately owned rights.

CONTENTS

<u>Preliminary material</u>	<u>Page</u>	
Title page	(i)	
Conditions of release	(ii)	
Amendment Record	(iii)/(iv)	
Contents (this list)	(v)	
Preface	(v)	
Associated publications	(vi)	
Emergency resuscitation Mod Form 656		
Para		
MAINTENANCE SCHEDULE		
1	Introduction	
5	Definitions	
6	Warnings, cautions and maintenance notes	
7	Maintenance intervals and areas of responsibility	
Table		
1	Equipment applicability	5
2	Fuels, lubricants and associated products	6
3	Equipment data	7
4	Action on receipt	8
5	Out of phase maintenance	8
6	Driver/operator maintenance	9
7	Time/usage maintenance	13
8	Out of use maintenance	19
Fig		
1	Lubrication diagram	20

PREFACE

- 1 Amendments are identified by marginal side lining.
- 2 Comments on this publication are to be forwarded in accordance with AESP 0100-P-011-013 to Vehicles and Weapons Branch REME, Chobham Lane, Chertsey, Surrey KT16 0EE.

ASSOCIATED PUBLICATIONS

JSP 341	Road Transport Regulations
JSP 351	MT Drivers Handbook
AP 3260 Book 1	Mechanical Transport Maintenance Regulations for the Royal Air Force
AP 4545 Volume 2	Mechanical Transport - General Orders and Modifications (RAF only)
AESP 2320-E-200-201	Operating Information
AESP 2320-E-200-501	Maintenance Information



# RESUSCITATION



## TREATMENT OF THE NON-BREATHING CASUALTY

**SHOUT FOR HELP. TURN OFF WATER, GAS OR SWITCH OFF ELECTRICITY IF POSSIBLE**

Do this immediately. If not possible don't waste time searching for a tap or switch.



**REMOVE FROM DANGER: WATER, GAS, ELECTRICITY, FUMES, ETC.**

Safeguard yourself when removing casualty from hazard. If casualty still in contact with electricity, and the supply cannot be isolated, stand on dry non-conducting material (rubber mat, wood, linoleum). Use rubber gloves, dry clothing, length of dry rope or wood to pull or push casualty away from the hazard.



**REMOVE OBVIOUS OBSTRUCTION TO BREATHING**

If casualty is not breathing start ventilation at once.

LOOSEN NECKWEAR  
TILT HEAD BACKWARDS  
AND PUSH CHIN UPWARDS

PINCH THE NOSE  
COMMENCE VENTILATION  
FOUR GOOD INFLATIONS  
MOUTH-TO-MOUTH

IF CHEST DOES NOT RISE  
RE-CHECK AIRWAY, REMOVE  
OBSTRUCTION AND RE-INFLATE

CHECK PULSE

POSITION OF PULSE

**PULSE PRESENT**

**PULSE ABSENT**

**ONE FIRST AIDER**  
15 Compressions at 80 per minute followed by 2 Inflations

**TWO FIRST AIDERS**  
One conducts chest compressions, without pause at 60 per minute. The other administers mouth-to-mouth ventilation — after each 5th compression.

HEART HAS STOPPED BEATING  
LAY ON BACK ON FIRM SURFACE (eg FLOOR).  
COMMENCE EXTERNAL CHEST COMPRESSION AND CONTINUE MOUTH-TO-MOUTH VENTILATION

Check heart beat after first minute and then after every three minutes. Continue external chest compression and mouth-to-mouth ventilation until a normal pulse is felt and colour improves.

CONTINUE INFLATIONS UNTIL RECOVERY OF NORMAL BREATHING

WHEN NORMAL BREATHING COMMENCES PLACE CASUALTY IN RECOVERY POSITION

Keep casualty at rest. Remove on a stretcher. Watch closely, particularly for difficulty in breathing. Lightly cover with blankets or other materials.

CONTINUE INFLATIONS UNTIL RECOVERY OF NORMAL BREATHING

## MAINTENANCE SCHEDULE

### Introduction

1 This Maintenance Schedule is the authority for carrying out all scheduled maintenance tasks on the subject equipment and takes precedence over any other conflicting publication.

2 The Unit Commander/MT Officer is responsible for ensuring that the operations detailed in this Maintenance Schedule are properly carried out. He may order any operation to be carried out more frequently than is specified if the conditions under which the equipment operates render it necessary.

3 Scheduled Maintenance is to be recorded in the appropriate equipment document in accordance with JSP 341, Chap 16, and AP 3260, Book 1, Chap 3 (RAF only).

4 Serials numbers left blank in the tables may be taken up by amendment action at a later date.

### Definitions

5 As far as this document is concerned, the following definitions apply:

5.1 Examine. Carry out a survey of the condition of an item. for example, the condition of an item can be impaired by the following:

Note ...

The term Examine does not call for dismantling unless specifically instructed to do so in the relevant Operation.

5.1.1 Insecurity of attachment.

5.1.2 Cracks or fractures.

5.1.3 Corrosion, contamination or deterioration.

5.1.4 Distortion.

5.1.5 Loose or missing fasteners.

5.1.6 Chafing, fraying, scoring or wear.

5.1.7 Faulty or broken locking devices.

5.1.8 Loose clips or packing, obstruction of, or leakage from pipelines.

5.1.9 Discolouration due to overheating or leakage of fluids.

5.1.10 Damage due to external sources.

5.2 Check. Make a comparison of measurement of time, pressure, temperature, resistance, dimension or other quantity, with a known figure.

5.3 Operate. As far as possible, ascertain that a component or system functions correctly without the use of test equipment or reference to measurement.

5.4 Replenish. Refill a container to a pre-determined level, pressure or quantity, this includes any necessary cleaning of orifices, examination of caps, covers, gaskets and washers, renewal of locking devices and clearing of vents.

5.5 Replace. Remove an item and then fit a new or reconditioned item.

#### Warnings, Cautions and Maintenance Notes

6 Before any maintenance task is carried out, the WARNINGS, CAUTIONS and Maintenance Notes preceding the appropriate Table must be read and understood.

#### Maintenance Intervals and Areas of Responsibility

7 Table 4 - Action on Receipt. The maintenance detailed in Table 4 covers the action taken when the equipment arrives on a unit. These operations will normally be of a once-only nature, eg the recording of lifting equipment with the appropriate test authority, actions that are necessary to be undertaken before the equipment is put into service or actions that are only required during the running in period. The tasks are to be carried out by the Tradesmen annotated against the operation.

8 Table 5 - Out of Phase Maintenance. The maintenance detailed in Table 5 covers tasks that do not fall into line with the manufacturers standard time/usage intervals. The tasks are to be carried out by REME or RAF MT/General Electrical Tradesmen unless annotated otherwise.

#### 9 Table 6 - Driver/Operator Maintenance

9.1 The maintenance detailed in Table 6, Columns A, B and C is to be carried out by the driver/operator or their civilian equivalent at the following intervals:

9.1.1 A - Daily before use (only on days used).

9.1.2 B - Daily after use (after the equipment has been operated).

9.1.3 C - Weekly whether the equipment is used or not.

9.2 The maintenance detailed in Table 6, Column D is to be carried out by an Army Driver Class 1 or RAF NCO Driver or their civilian equivalent at least every 3 months.

## 10 Table 7 - Time/Usage Maintenance

10.1 The maintenance detailed in Table 7, Columns 1st, A, B and C is to be carried out at the following intervals:

10.1.1 1st (RAF Initial) - After the first 500 miles (800 km).

10.1.2 A (RAF Lubrication) - Every 5,000 miles (8,000 km) or 6 months whichever occurs first.

10.1.3 B (RAF Minor) - Every 10,000 miles (16,000 km) or 12 months whichever occurs first.

10.1.4 C (RAF Major) - Every 20,000 miles (32,000 km) or 24 months whichever occurs first.

10.1.5 Column D contains the Area Maintenance indicator which may be used, at the discretion of the Unit Commander or MT Officer, to carry out Area Maintenance at the appropriate time/usage intervals.

Notes ...

- (1) Vehicles that are on Area maintenance and do less than 6000 miles annually are to have a Lubrication Maintenance at 6 monthly intervals in accordance with AP 3260, Chapter 3.
- (2) The number in the Area Maintenance column indicates which Area is to be carried out.
- (3) The Area Maintenance detailed is to be carried out in conjunction with its associated prime mover/specialist equipment scheduled maintenance if applicable.

10.2 The maintenance detailed in Table 7 will be carried out by:

10.2.1 REME Vehicle Mechanic (VM) where annotated (VM) in the table.

10.2.2 Army Driver Class 1 except where it is specifically indicated (VM) that the task should be undertaken by a REME Tradesman.

10.2.3 RAF MT Mechanic/Technician or General Mechanic/Technician Electrical as appropriate to the operation.

10.2.4 The civilian equivalent of the above tradesmen.

## 11 Table 8 - Out of Use Maintenance

11.1 For RAF equipment, Out of Use vehicles or vehicles in Second Echelon are to be maintained in accordance with AP 3260, Book 1, Chap 1, Para 9 and Chap 2, Para 27. Any specific operation appertaining to this equipment will be listed in Table 8.



11.2 For Army equipment, this maintenance is to be carried out as follows:

11.2.1 When the equipment is taken out of use for periods exceeding one month on the advice of the local REME advisor/MT Officer.

11.2.2 Any equipment taken out of use for periods exceeding four months is to be put into preservation in accordance with EMER Wheeled Vehicles A 019 Miscellaneous Instruction No 9.

11.2.3 The equipment is to be cleaned, dried and stored under cover where possible.

11.2.4 Any overdue maintenance is to be carried out when the equipment is brought back into use.

TABLE 1 EQUIPMENT APPLICABILITY

Ser	Equipment Asset Code	Designation	Contract Numbers
(1)	(2)	(3)	(4)
1	1912-3100	Truck Utility Heavy, 4x4, RHD, GS	
2	1912-9100	Truck Utility Heavy, 4x4, LHD, GS	
3	1914-3100	Truck Utility Heavy, 4x4, RHD, GS Winch	
4	1915-3100	Truck Utility Heavy, 4x4, RHD, FFR, Hardtop	
5	1916-3100	Truck Utility Heavy, 4x4, RHD, FFR, Softtop	
6	1917-3100	Truck Utility Heavy, 4x4, RHD, FFR, Softtop Winch	
7	1918-4100	Truck Utility Heavy, 4x4, LHD, FFR, TCB	

TABLE 2 FUELS, LUBRICANTS AND ASSOCIATED PRODUCTS

Notes ...

- (1) Only the products listed below are to be used on this equipment.
- (2) Oil changes at the -15°C point shall only be made on the advice of the MT Officer.
- (3) The capacities listed are to be used as a guide only. A physical check is to be carried out to ensure that all fluid levels are correct. This check should be carried out with the vehicle unladen and standing on level ground whenever possible.

Ser	Assembly/System	Product		Capacity	
		Above -15°C	Below -15°C	Litres	Pints
(1)	(2)	(3)	(4)	(5)	(6)
1	Engine	OMD 90	OMD 55	12.0	21.0
2	Gearbox	OEP 220	OEP 38	4.5	8.0
3	Transfer box	OMD 90	OMD 55	3.4	6.0
4	Steering power assisted	OM 33	OM 18	2.5	4.5
5	Front axle differential	OEP 220	OEP 38	3.1	5.5
6	Front axle CV joints	OEP 220	OEP 38	0.5	1.0
7	Rear axle	OEP 220	OEP 38	3.1	5.5
8	Wheel bearings front	XG 279	XG 279	-	-
9	General greasing	XG 279	XG 279	-	-
10	Brake adjuster linkage	COPPER SLIP 34B 8030-99-641-9463			
11	Brake and clutch field	OX 8	OX 8	-	-
12	Winch gear case	OEP 220	OEP 38	2.5	4.5
13	Winch hydraulics	OM 33	OM 18	25.0	44.0
14	Coolant system	AL 39	AI 39	23.0	40.0
15	Windscreen washer	AL 11	AI 11	-	-
16	Oil can lubrication	OMD 90	OMD 55	-	-
17	Fuel tank	DIESO	DIESO	128.0	28 gal
18	Battery terminals	PX 7	PX 7	-	-

99/52c/5287(208)  
ATSA Chertsey9905INTCP-1903  
Feb 00 (Amdt 4)

TABLE 3 EQUIPMENT DATA

Ser	Item	Detail
(1)	(2)	(3)
	<b><u>ADJUSTMENTS</u></b>	
1	Valve clearances (cold) Inlet Exhaust	0.2 mm (0.008 in.) 0.45 mm (0.018 in.)
2	Drive belt deflection Fan/Generator Power steering GS FFR	12 mm (0.5 in.) 10 mm (0.4 in.) 8 mm (0.3 in.)
3	Front wheel alignment	Parallel to 4.7 mm (0.19 in.) Toe out
4		
	<b><u>TYRES</u></b>	
5	Type Size Pressure Front Rear	Michelin 'XL' radial 9.00 x 16 (124 J) 3.5 bar (51 lbf/in <sup>2</sup> ) 4.0 bar (58 lbf/in <sup>2</sup> )
6		
	<b><u>TORQUE SETTINGS</u></b>	
7	Wheel nuts (dry)	298 Nm (220 lbf ft)
8	Spring U bolts: Front Rear	102 Nm (75 lbf ft) 142 Nm (105 lbf ft)
9		

TABLE 4 ACTION ON RECEIPT

Table 4 Maintenance is to be carried out in accordance with the instructions shown at Page 2, Para 6 and 7.

Ser	Action
(1)	(2)
1	Carry out Receipt Inspection.
2	(ARMY ONLY) On receipt, units are to inform their parent REME workshop, who will take relevant action in accordance with EMER T&M A 028, Chap 650.
3	(RAF ONLY) Units are to inform their parent Lifting Machine Test Centre of any change in the holdings of lifting machines. Such notification to include the EAC, Designation, Registration Mark, certificates available and date of last Proof Load or Safe Working Load Test.

TABLE 5 OUT OF MAINTENANCE

Table 5 Maintenance is to be carried out in accordance with the instructions shown at Page 2, Para 8.

WARNINGS, CAUTIONS and Maintenance Notes preceding Tables 6 and 7 must be read and understood before commencing these maintenance tasks.

Ser	Action	Interval
(1)	(2)	(3)
1	Check/Adjust valve clearances: (VM)	4 years
2	Check/Adjust injectors: (VM)	4 years
3	Lubricate brake auto adjusters - during brake repairs (VM)	
4	Lubricate turbo charger - if engine not run (VM)	Monthly

TABLE 6 DRIVER/OPERATOR MAINTENANCE

Table 6 Maintenance is to be carried out by the tradesmen and at the intervals shown at Page 2, Sub-Para 9.1 and 9.2 of this publication.

The following WARNINGS, CAUTIONS and Maintenance Notes must be read and understood before commencing these maintenance tasks.

WARNINGS ...

- (1) THE HANDLING OF FUELS, LUBRICANTS AND ASSOCIATED PRODUCTS IS HAZARDOUS. REFER TO LOCAL UNIT SAFETY PROCEDURES, INSTRUCTIONS ON THE CONTAINERS AND OTHER RELEVANT REGULATIONS FOR FULL SAFETY PROCEDURES. MINIMUM PRECAUTIONS AFTER USE IS TO WASH AFFECTED SKIN AREAS WITH SOAP AND WATER. THE USE OF BARRIER CREAM IS RECOMMENDED.
- (2) FLUID AL 39 IS BOTH TOXIC AND HAZARDOUS.
- (3) FLUID AL 11 IS HIGHLY INFLAMMABLE. THE PREPARATION OF THE FLUID IS TO BE CARRIED OUT IN THE OPEN AWAY FROM NAKED FLAMES.
- (4) WHEN HANDLING WINCH CABLE WEAR PROTECTIVE GLOVES. DURING OPERATIONS KEEP HANDS CLEAR OF THE DRUM AND FAIRLEAD ROLLERS. ENSURE ALL PERSONNEL ARE CLEAR OF THE WINCH DANGER AREA WHILST CABLE IS UNDER TENSION.
- (5) WHEN OPERATING OR MAINTAINING THE ETHER COLD START AID, AVOID INHALING ETHER FUMES AS THEY ARE TOXIC. DO NOT SMOKE OR USE A NAKED FLAME OR USE ARC WELDING EQUIPMENT NEAR THIS INSTALLATION AS THE FUMES ARE ALSO HIGHLY INFLAMMABLE. ANY PART OF THE BODY EXPOSED TO ETHER MUST BE WASHED AT ONCE. KEEP ETHER AWAY FROM EYES, MOUTH AND NOSE. GET MEDICAL ADVICE AT ONCE IF AT ALL EFFECTED BY ETHER.

CAUTIONS ...

- (1) This vehicle is fitted with a turbo charger, if the engine is not run within a one month period the turbo charger must be primed with lubricating oil. (VM task)
- (2) Before stopping the engine, allow to idle for 3 minutes to permit lubricating oil to transfer heat away from the turbocharger shaft bearings and seals.
- (3) Never stop the engine immediately from full throttle as damage to the turbo charger may occur.

Ser	Task	Maintenance Interval			
		A	B	C	D
(1)	(2)	(3)	(4)	(5)	(6)
1	Examine the vehicle for obvious signs of damage.	X	X		X
2	Ensure that the vehicle has sufficient fuel, oil and coolant for the journey or task.	X	X		X
3	Doors, locks, safety catches and bonnet catches: Examine and operate.	X			X
4	Windscreens and windows: Examine for clarity and damage.	X			X

(continued)

TABLE 6 DRIVER/OPERATOR MAINTENANCE (continued)

Ser	Task	Maintenance Interval			
		A	B	C	D
(1)	(2)	(3)	(4)	(5)	(6)
5	Rear view mirrors: Examine for cracks and deterioration of reflective surfaces.	X			X
6	Seat belts and attachments: Examine for serviceability, damage and insecurity.	X			X
7	Fire extinguisher: Ensure vehicle is fitted with a serviceable fire extinguisher.	X			X
8	Horn: Operate.	X			X
9	Heater and demister: Operate.	X			X
10	Instruments and gauges: Check function.	X			X
11	Headlights and sidelights: Operate.	X			X
12	Tail lights and brake lights: Operate.	X			X
13	Hazard warning lights and indicators: Operate.	X			X
14	Rear fog lights: Operate.	X			X
15	Windscreen wipers/washers: Operate.	X			X
16	Windscreen washer reservoir: Check/top up.	X			X
17	Reflectors: Examine for damage and security.	X			X
18	Lights: Examine for condition of lenses and reflective surfaces, security/cleanliness.	X			X
19	Alternator/Fan drive belts: Examine for fraying and correct tension.			X	X
20	Registration, marker and legal plates: Examine.	X			X
21	Tyres (incl spare): Examine for cuts/damage and uneven wear, check tread depth.	X			X
22	Tyre pressures (incl spare): Check.	X			X
23	Spare wheel carrier/stowage: Check security.	X			X
24	wheel nuts: Check security.	X			X
25	Brake and clutch reservoirs: Check/top up.			X	X
26	Brakes and steering: Ensure correct operation.	X			X
27	Towing pintle: Examine.			X	X

(continued)

TABLE 6 DRIVER/OPERATOR MAINTENANCE (continued)

Ser	Task	Maintenance Interval			
		A	B	C	D
(1)	(2)	(3)	(4)	(5)	(6)
28	Special to role type fittings: Examine.			X	X
29	Batteries: Check/top up electrolyte.			X	X
30	Batteries: Examine for security.				X
31	CES: Examine.				X
32	Check the vacuum system, by running the engine for 2 minutes at approximately 1500 revs to achieve full vacuum. Stop the engine and observe the vacuum gauge for 10 minutes, any loss of vacuum in this time and the vehicle must be placed VOR.	X		X	
33	Carry out static functional test to confirm serviceability of all functions and particularly door locks, window winders, seat belts and obligatory lights.				X
34	Carry out mobile functional test to confirm serviceability of all functions of starting driving through the gears, steering and stopping.				X
35	Record action in AB 562 (Army only).				X
36	Winch hydraulic fluid: Check/top up.				X
37	Winch: Operate to disperse oil.				X
38	Winch rope: Examine for damage.				X
39	Power steering reservoir: Check/top up.			X	X
40	Power steering drive belt: Examine for fraying and correct tension.			X	X
41	Examine vehicle for fuel, oil or coolant leaks.	X			X
42	Fuel line sedimenter: Check/clean.				X
43	Cold start reservoir: Check/top up (cold weather conditions only).	X		X	X
44	F658A (MT ON DETACHMENT DUTY) or F814 (VEHICLE RUNNING RECORD) as appropriate: Sign (RAF only).	X			
45	AF G1084A (Worksheet) or STAMA 3 monthly: Sign (RAF only).				X



TABLE 7 TIME/USAGE MAINTENANCE

Table 7 Maintenance is to be carried out by the tradesmen and at the intervals shown at Page 2, Sub-Para 10.1 and 10.2 of this publication.

The following WARNINGS, CAUTIONS and Maintenance Notes must be read and understood before commencing these maintenance tasks.

WARNINGS ...

- (1) SERIALS 1-5 OF TABLE 6 WARNINGS APPLY TO THIS TABLE 7.
- (2) DO NOT USE AN AIR LINE TO CLEAR BRAKE DUST, BRAKE LININGS CONTAIN ASBESTOS.
- (3) ON VEHICLES FITTED WITH POWER TAKE OFF (PTO), ENSURE THAT THE PTO IS OUT OF GEAR AND THAT THE ENGINE IS STOPPED BEFORE WORKING ON OR CHANGING COMPONENTS.
- (4) NEVER HANDLE A WIRE ROPE WHEN ANYONE ELSE IS AT THE CONTROLS.

CAUTIONS ...

- (1) This vehicle is fitted with a turbo charger, if the engine is not run within a one month period the turbo charger must be primed with lubricating oil. (VM task)
- (2) Before stopping the engine, allow to idle for 3 minutes to permit lubricating oil to transfer heat away from the turbocharger shaft, bearings and seals.
- (3) Never stop the engine immediately from full throttle as damage to the turbo charger may occur.

Maintenance Note ...

Wire ropes are to be examined by a competent SNCO (EMER T&M A 028 Chap 650 refers).

Ser	Task	Fig No	Product	Maintenance Period				
				1st	A	B	C	D
(1)	(2)	(3)	(4)	(5)	(6)	(7)	(8)	(9)
	<u>ENGINE</u>							
1	Assembly: Examine, check for oil/water leaks.			X	X	X	X	
2	Oil: Drain and replenish.	7	OMD 80	X		X	X	
3	Oil filter: Renew.			X		X	X	
4	Air filter: Renew.				X	X	X	
5	Fuel filter: Renew.					X	X	
6	Coolant: Check condition and specific gravity, renew if necessary.	11	AL 39		X	X	X	
7	Valve clearances: Check/Adjust. (VM) (Table 5 refers)			X				

(continued)

TABLE 7 TIME/USAGE MAINTENANCE (continued)

Ser	Task	Fig No	Product	Maintenance Period				
				1st	A	B	C	D
(1)	(2)	(3)	(4)	(5)	(6)	(7)	(8)	(9)
8	Controls: Examine, operate and lubricate.		OMD 90	X	X	X	X	
9	Exhaust system: Examine.					X	X	
10	Turbo charger: Examine. (VM)					X	X	
11	Induction system: Examine.					X	X	
12	Exhauster: Examine.				X	X	X	
13	Vacuum pipes and connectors: Examine.				X	X	X	
14	Injectors: Clean and reset. (VM) (Table 5 refers)							
15	Coolant hoses, pipes and clips: Examine.					X	X	
16	Radiator: Examine.					X	X	
17	Mountings: Check for security.					X	X	
18	Fuel tank and pipes: Examine.					X	X	
19	Cold start system: Examine.					X	X	
20	Fuel injection pump: Examine.					X	X	
21	Engine drive belt: Check tension. (VM)			X		X	X	
22								
	<u>STEERING AND SUSPENSION</u>							
23	Power steering filter: Renew.						X	
24	Steering column CV and sliding joint: Examine and lubricate.		XG 279	X	X	X	X	
25	Power steering reservoir: Check/top up.	6	OM 33	X	X	X	X	
26	Front axle CV joint housings: Check/top up.	4	OEP 220	X		X	X	
27	Shock absorbers and mountings: Examine. (VM)					X	X	
28	Front wheel alignment: Check/adjust. (VM)					X	X	
29	Front wheel bearings: Repack and adjust. (VM)	5	XG 279				X	

(continued)

TABLE 7 TIME/USAGE MAINTENANCE (continued)

Ser	Task	Fig No	Product	Maintenance Period				
				1st	A	B	C	D
(1)	(2)	(3)	(4)	(5)	(6)	(7)	(8)	(9)
30	Wheel nuts: Check torque setting.			X	X	X	X	
31	Wheels and tyres: Examine.				X	X	X	
32	Power steering pump drive belt: Check for correct tension, adjust if necessary. (VM)			X	X	X	X	
33	Spring U bolts: Check torque setting. (VM)			X		X	X	
34	Steering box linkage, ball joints: Examine. (VM)					X	X	
35	Suspension bushes, chassis frame and fixings: Examine. (VM)					X	X	
36								
37								
38								
	<u>TRANSMISSION</u>							
39	Gearbox: Examine, drain and replenish.	3	OEP 220	X		X	X	
40	Gearbox: Examine, check top up oil level.	3	OEP 220		X			
41	Gearbox breather: Clean.					X	X	
42	Transfer box: Examine, drain and replenish.	2	OMD 90	X		X	X	
43	Transfer box: Examine, check/top up oil.	2	OMD 90		X			
44	Transfer box vacuum controls and linkages: Examine and lubricate.		OMD 90	X	X	X	X	
45	Deleted.							
46	Front and rear axles: Check/top up oil.	1, 12	OEP 220	X	X	X	X	
47	Propshafts: Examine, lubricate.	14	XG 279	X	X	X	X	
48	Clutch reservoir: Check/top up fluid.	9	OX 8	X	X	X	X	
49	Clutch withdrawal lever: Lubricate.		OMD 90	X	X	X	X	
50	Axle breathers: Check, clean.					X	X	

(continued)

TABLE 7 TIME/USAGE MAINTENANCE (continued)

Ser	Task	Fig No	Product	Maintenance Period				
				1st	A	B	C	D
(1)	(2)	(3)	(4)	(5)	(6)	(7)	(8)	(9)
51	Clutch pipes/hoses: Check condition. (VM)					X	X	
	<u>BRAKES</u>							
52	Brake fluid: Drain and replenish.	10	OX 8				X	
53	Brake pipes and hoses: Examine. (VM)					X	X	
54	Front brakes remove brake drums: Examine brake shoes, wheel cylinders, springs, hub seals and brake adjusters. (VM)					X	X	
55	Rear brakes remove brake drums: Examine brake shoes, wheel cylinders, springs, hub seals and brake adjusters. (VM)					X	X	
56	Adjust front and rear brakes. (VM)					X	X	
57	Load sensing valve: Check for security.			X	X	X	X	
58	Brake auto adjusters: Lubricate. (Table 5 refers)							
59	Handbrake compensator: Lubricate.		OMD 90	X	X	X	X	
60	Load sensing valve linkage: Lubricate.		OMD 90	X	X	X	X	
61	Footbrake control linkage: Lubricate.		OMD 90	X	X	X	X	
62	Brake pedal and operating mechanism: Examine and operate.					X	X	
63	Brake master cylinder and servo: Examine.					X	X	
64	Braking system: Carry out roller brake test or decelerometer test (in accordance with AP 4545 Vol 2 Lft A64 RAF only).					X	X	
	<u>ELECTRICS</u>							
65	Batteries: Examine, top up, smear terminals.			X	X	X	X	
66	Alternator: Check output and security. (VM)					X	X	
67	Starter motor: Examine.					X	X	
68	Headlight alignment: Check/adjust. (VM)			X		X	X	
69	Instruments, gauges and switches: Examine and ensure correct operation.			X		X	X	
70	Light assemblies: Examine.			X	X	X	X	
71	Windscreen washers/wipers: Examine.			X	X	X	X	

(continued)

TABLE 7 TIME/USAGE MAINTENANCE (continued)

Ser	Task	Fig No	Product	Maintenance Period				
				1st	A	B	C	D
(1)	(2)	(3)	(4)	(5)	(6)	(7)	(8)	(9)
72	Warning lights and horn: Examine and ensure correct operation.			X	X	X	X	
73	Reflectors: Examine.			X	X	X	X	
74								
75								
	<u>CAB, BODY AND CHASSIS</u>							
76	Winch gearbox: Drain and replenish.	8	OEP 220	X			X	
77	Winch gearbox: Check/top up oil level.	8	OEP 220		X	X		
78	Winch hydraulic system: Drain and replenish.	13	OM 33	X			X	
79	Winch hydraulic system: Check/top up.	13	OM 33		X	X		
80	Winch hydraulic filter: Renew.						X	
81	Winch rope: Clean, lubricate (in accordance with AP 4545 Vol 2 Leaflet A98 - RAF only).			X	X	X	X	
82	Winch control linkage: Examine, lubricate.		OMD 80	X	X	X	X	
83	Winch fairlead rollers: Grease - 4 nipples.	8	XG 279	X	X	X	X	
84	Winch drum barrel: Grease - 2 nipples.	8	XG 279	X	X	X	X	
85	Winch hydraulic filter: Examine.					X		
86	Rear tow pintle: Examine, lubricate.	15	XG 279	X	X	X	X	
87	Door locks, catches and hinges: Examine, lubricate.		OMD 80	X	X	X	X	
88	Bonnet lock, hinges and stay: Examine, lubricate.		OMD 80	X	X	X	X	
89	Windscreen and windows: Examine.			X	X	X	X	
90	Cab mountings: Examine.			X		X	X	
91	Body and fittings: Examine.			X		X	X	
92	Rear view mirrors: Examine.			X	X	X	X	
93	Tailboard hinges, chains and lockpins: Examine and lubricate.		OMD 80	X	X	X	X	

(continued)

TABLE 7 TIME/USAGE MAINTENANCE (continued)

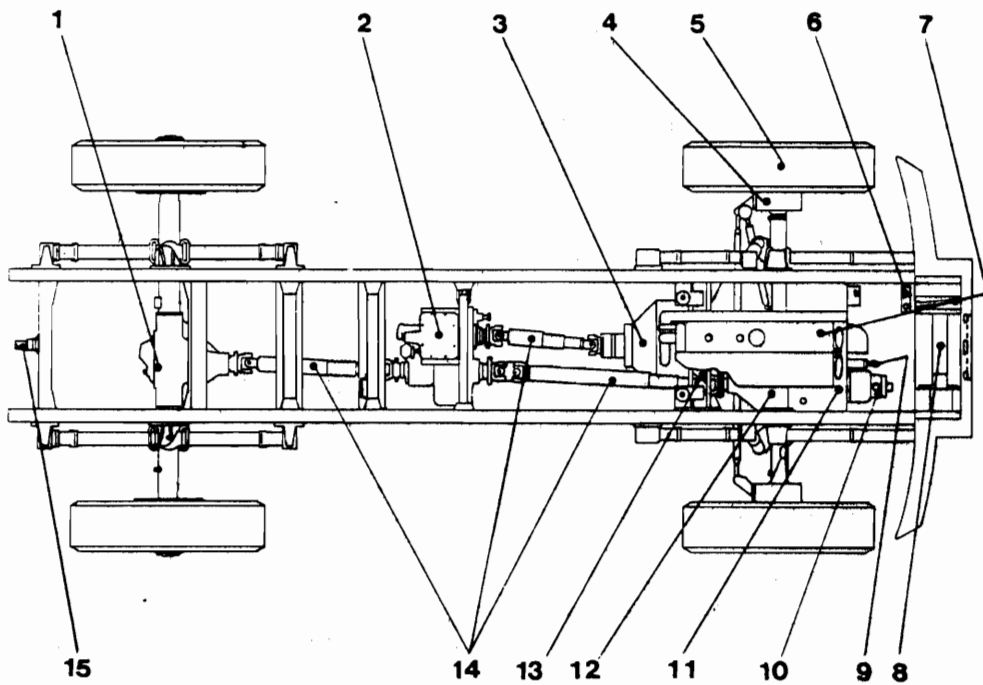
Ser	Task	Fig No	Product	Maintenance Period				
				1st	A	B	C	D
(1)	(2)	(3)	(4)	(5)	(6)	(7)	(8)	(9)
94	Fire extinguisher: Check for serviceability.			X	X	X	X	
95	Chassis and cross member bolts: Examine.			X		X	X	
96	Tilt frame and canvas cover: Examine.			X		X	X	
97	Stowage lockers, lids and hinges; Examine and lubricate.		OMD 80	X	X	X	X	
98	Windows and regulators: Examine.			X	X	X	X	
99	Registration, warning and legal plates: Examine and check security.			X	X	X	X	
100	Wiper arms and blades: Examine.			X	X	X	X	
101	Seats and seat adjusters: Examine.			X	X	X	X	
101	Seats and seat adjusters: Examine.			X	X	X	X	
102	Seat belts and mountings: Examine.			X	X	X	X	
103	Static functional test: Check for correct operation of all controls, gauges and warning lights.			X		X	X	
104	Mobile functional test: Check steering brakes and performance. (NCO MT Technician only - RAF only) (VM)			X	X	X	X	
105	AB 562: Enter details as required (Army only).			X	X	X	X	
106	AF G1084A (Worksheet) or STAMA Worksheet as appropriate, Tradesmen and Countersigning NCO: Sign (RAF only).			X	X	X	X	
107	AF G1084A (Worksheet) or STAMA Worksheet as appropriate: Insert co-ordinating signature.			X	X	X	X	
108								
109								
110								

TABLE 8 OUT OF USE MAINTENANCE

Table 8 Maintenance is to be carried out in accordance with the instructions shown at Page 3, Sub-Para 11.1 and 11.2.

WARNINGS, CAUTIONS and Maintenance Notes preceding Tables 6 and 7 must be read and understood before commencing these maintenance tasks.

Ser	Operation
(1)	(2)
<p>1</p> <p>2</p> <p>3</p> <p>4</p> <p>5</p> <p>6</p> <p>7</p> <p>8</p> <p>9</p> <p>10</p> <p>11</p> <p>12</p>	<p><u>Prior to vehicle entering storage:</u></p> <p>Carry out Table 6, Columns A, B and C maintenance, check coolant specific gravity and patch paint.</p> <p>Carry out next maintenance due if it falls during out of use period.</p> <p>Rectify all faults affecting road/task worthiness.</p> <p>Fill fuel tank.</p> <p>Isolate batteries by master switch or disconnecting earth lead.</p> <p><u>Monthly</u></p> <p>Check and adjust tyre pressures.</p> <p>Report any fuel, oil or coolant leaks.</p> <p>Check engine oil level and coolant level, start up to lubricate turbo charger.</p> <p><u>2 Monthly whilst vehicle in storage:</u></p> <p>Carry out Table 6, Columns A and B maintenance.</p> <p>Operate equipment and all systems.</p> <p>Carry out road test over 8 km (5 miles) if possible.</p> <p>Update AB 562.</p>



- |   |                          |    |                           |
|---|--------------------------|----|---------------------------|
| 1 | Rear axle                | 9  | Clutch reservoir          |
| 2 | Transfer box             | 10 | Brake reservoir           |
| 3 | Gear box                 | 11 | Radiator                  |
| 4 | CV Joint                 | 12 | Front axle                |
| 5 | Front wheel bearings     | 13 | Winch hydraulic reservoir |
| 6 | Power steering reservoir | 14 | Propshafts                |
| 7 | Engine                   | 15 | Rear tow pintle           |
| 8 | Winch gearbox            |    |                           |

V9685/1

Fig 1 Lubrication diagram